



Submittal Data:

ETAC2 With Universal Heater - 7,000 to 15,000 Cooling w/ Electric Heating Models (Power Cord Required)

208/230 & 265 Voltage

Job Name	Location	Date
Purchaser	Engineer	Phone
Submitted To	For <input type="checkbox"/> Reference <input type="checkbox"/> Approval <input type="checkbox"/> New Construction <input type="checkbox"/> Revovation Project	
Unit Designation	Schedule No.	

GENERAL FEATURES

- Industry Standard Size 42" x 16" - Designed to easily install in most standard wall sleeve (Contractor must verify)
- Electronic Touch Pad - IR Remote Control (Optional)
- Wired, Wireless Wall Thermostat & Energy Management System Interface
- LCDI Power Cord (208/230V Only)
- Condensate Slinger Ring Disposal
- Separate Multi-Speed Indoor & Outdoor Fan Motors
- Dry Mode
- Industry's Longest Standard Warranty, 5 Year Limited Warranty (See Product Catalog For Details)



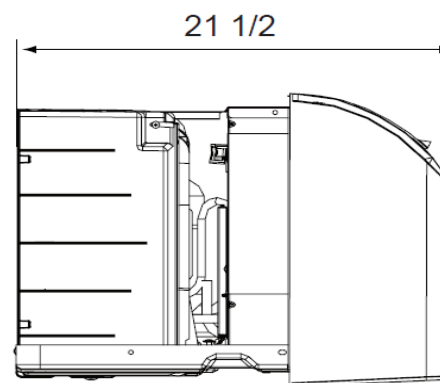
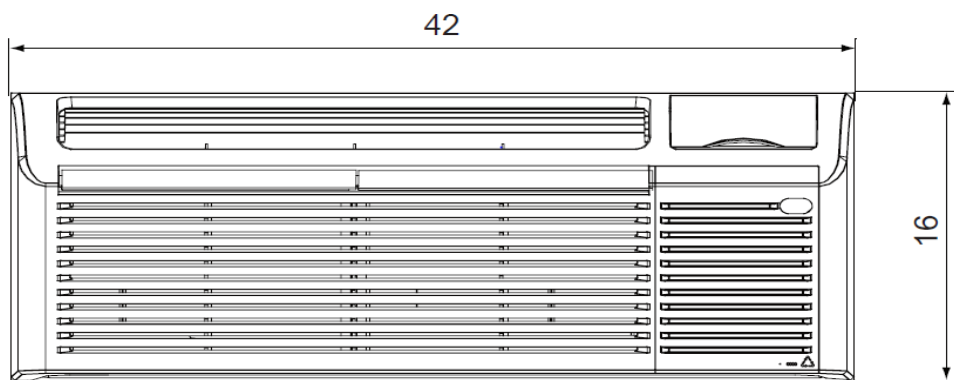
Performance Specification

Model Number	Capacity (BTU/H)				Dehumi - dification (Pints/Hr)	Energy Efficiency Ratio (EER)	Sensible Heat Factor	Indoor Fan CFM (Hi/Low)	AHRI Certification Number
	Cooling	Universal Electric Heating							
		2.45 KW	3.45 KW	5.0 KW					
208/230 Volt									
ETAC2-07HC230VA-A	7,000/7,200	6,800/8,300	9,600/11,700	-	1.69	13.0	86%	312/282	8703480, 8703481
ETAC2-09HC230VA-A	9,200/9,400	6,800/8,300	9,600/11,700	-	2.11	12.1	85%	329/294	8703482, 8703483
ETAC2-12HC230VA-A	11,600/11,800	6,800/8,300	9,600/11,700	13,900/17,000	2.75	11.6	75%	341/306	8703485, 8703486, 8703487
ETAC2-15HC230VA-A	14,200/14,500	6,800/8,300	9,600/11,700	13,900/17,000	3.17	10.4	67%	341/306	8703488, 8703489, 8703490
265 Volt									
ETAC2-07HC265VA-A	7,200	8,300	11,700	-	1.69	13.0	86%	312/282	9032335, 9032336
ETAC2-09HC265VA-A	9,400	8,300	11,700	-	2.11	12.1	85%	329/294	8669548, 8669551
ETAC2-12HC265VA-A	11,800	8,300	11,700	17,000	2.75	11.6	75%	341/306	8934560, 8934561, 8669563
ETAC2-15HC265VA-A	14,500	8,300	11,700	17,000	3.17	10.4	67%	341/306	8669566, 8669569, 8669572

Electrical Specification

Model Number	Voltage	Input Power (Watts)				Current (Amps)				Max Fuse Size (Amps) (Based on Power Cord Selection)
		Cooling	Universal Electric Heating			Cooling	Universal Electric Heating			
			2.45 KW	3.45 KW	5.0 KW		2.45 KW	3.45 KW	5.0 KW	
208/230 Volt										
ETAC2-07HC230VA-A	208/230	535/550	2,003/2,450	2,821/3,450	-	2.9/2.7	9.7/10.7	13.6/15.0	-	15, 20
ETAC2-09HC230VA-A	208/230	760/775	2,003/2,450	2,821/3,450	-	3.9/3.7	9.7/10.7	13.6/15.0	-	15, 20
ETAC2-12HC230VA-A	208/230	1,000/1,015	2,003/2,450	2,821/3,450	4,089/5,000	5.1/4.9	9.7/10.7	13.6/15.0	19.7/21.8	15, 20, 30
ETAC2-15HC230VA-A	208/230	1,365/1,390	2,003/2,450	2,821/3,450	4,089/5,000	6.7/6.2	9.7/10.7	13.6/15.0	19.7/21.8	15, 20, 30
265 Volt										
ETAC2-07HC265VA-A	265	550	2,450	3,450	-	2.4	9.3	13.1	-	15, 20
ETAC2-09HC265VA-A	265	775	2,450	3,450	-	3.3	9.3	13.1	-	15, 20
ETAC2-12HC265VA-A	265	1,015	2,450	3,450	5,000	4.2	9.3	13.1	18.9	15, 20, 30
ETAC2-15HC265VA-A	265	1,390	2,450	3,450	5,000	5.4	9.3	13.1	18.9	15, 20, 30

Dimensional Specifications



Universal Power Cord Selection

Model Number	Voltage	Breaker Size	Electric Heater KW	Minimum Circuit Ampacity	Receptacles Type	NEMA Number
E2CORD-230V15A	208/203	15	2.45	14	Tandem	6-15P
E2CORD-230V20A	208/203	20	3.45	19	Perpendicular	6-20P
E2CORD-230V30A	208/203	30	5.0	28	Large Tandem	6-30P
E2CORD-265V15A	265	15	2.45	12	265V 15 Amp	7-15P
E2CORD-265V20A	265	20	3.45	17	265V 20 Amp	7-20P
E2CORD-265V30A	265	30	5.0	24	265V 30 Amp	7-30P

Receptacle Configuration

208/230V	265V
Tandem 208/230V 15 Amp NEMA6-15R	265V 15 Amp NEMA7-15R
Perpendicular 208/230V 20 Amp NEMA6-20R	265V 20 Amp NEMA7-20R
Large Tandem 208/230V 30 Amp NEMA6-30R	265V 30 Amp NEMA7-30R

Accessories

PTAC-SLEEVE-SE-INS	Standard Sleeve Metal Insulated (42"W x 13-3/4"D x 16"H)
WALL-SLEEVE-1PK	Standard Wall Sleeve Polymer Non-Insulated (42"W x 13-3/4"D x 16"H)
SLEEVE-INSUL-1PK	Standard Wall Sleeve Polymer Insulated (42"W x 14-3/4"D x 16"H)
PTAC-SUBBASE-A	Non-Electrical Subbase [Electrical Components Available]
GRILLE-ALU-CLEAR	Aluminum Architectural Louvered Grille - Clear [Additional Colors Available]
GRILLE-PLA-ALPIN	Polymer Architectural Louvered Grille - Alpine Beige (matches wall sleeve) [Additional Colors Available]
GRILLE-ALU-STAMP	Stamped Aluminum Grille - Clear
DRAIN-KIT-1PK	Internal & External Condensate Drain Kits
TP-N-631W	Wireless Wall Thermostats 2 Fan Speed (Non-Programmable)
TP-N-631	Wired Wall Thermostats 2 Fan Speed (Non-Programmable)

Please refer to ETAC2 product catalog for complete line of accessories



www.gree-etac.com
1-866-239-4440

Specifications are subject to change. Manufacturer reserves the right to discontinue or modify specification or design without notice or without incurring obligation. All rights reserved.

Revision V3.0 2016